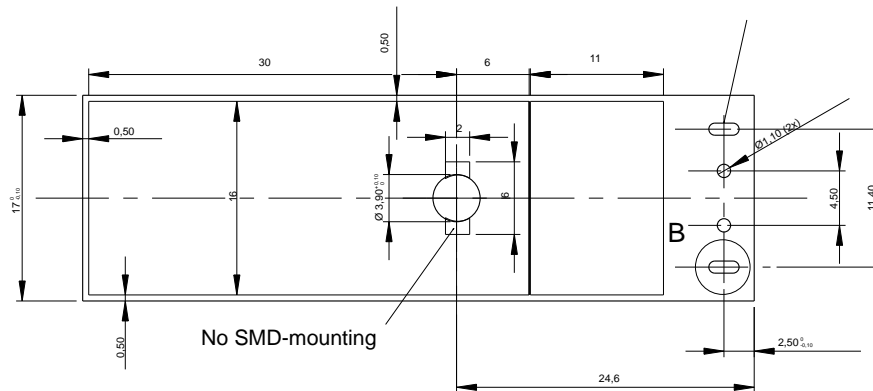


PCB bottom

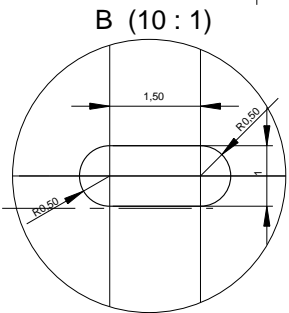
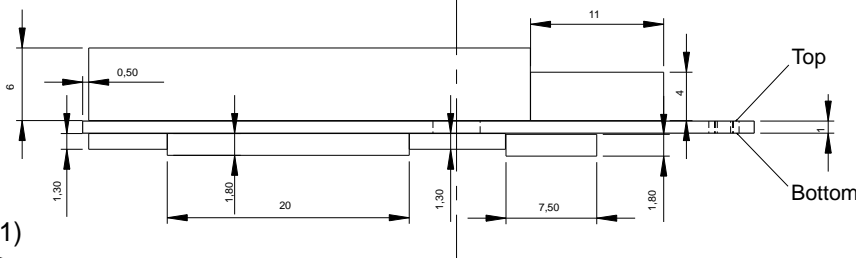
drillings, matching USB-connector (SMT)
Type LUMBERG (Bestellnr. 24 10 07)



PCB top

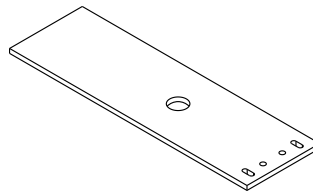
No SMD-mounting

mounting heights



1. Type screwable:
PCB s=1,0mm (standard), max. s=1,2mm possible

2. Type clued:
PCB s=1,0mm (standard), max. s=1,2mm possible
(drilling omitted, therefore entire mounting possible)



PCB for

Designation	screwable	Clued
USB-connector shell, light grey ABS	GH02SG001/600	GH02SG001/601
USB-connector shell, black ABS	GH02SG001/610	GH02SG001/611
USB-connector shell, blue ABS	GH02SG001/620	GH02SG001/621
USB-connector shell, red ABS	GH02SG001/630	GH02SG001/631
USB-connector shell, yellow ABS	GH02SG001/640	GH02SG001/641
USB-connector shell, transparent blue PC	GH02SG001/650	GH02SG001/651

**RICHARD
WÖHR**
GMBH

Gräfenau 58-60
D-75339 Höfen / Enz

Telefon (07081) 9540-0
Telefax (07081) 9540-90
Richard@WoehrGmbh.de
www.WoehrGmbh.de

Expression:
Industrial enclosure

order code:
PCB for
GH02SG001/6xx

Maße
in
mm