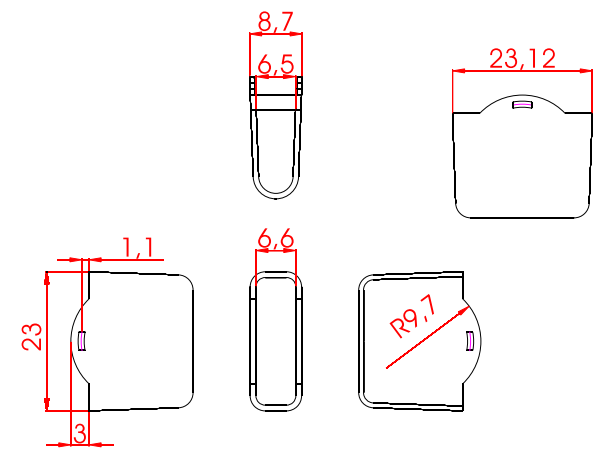
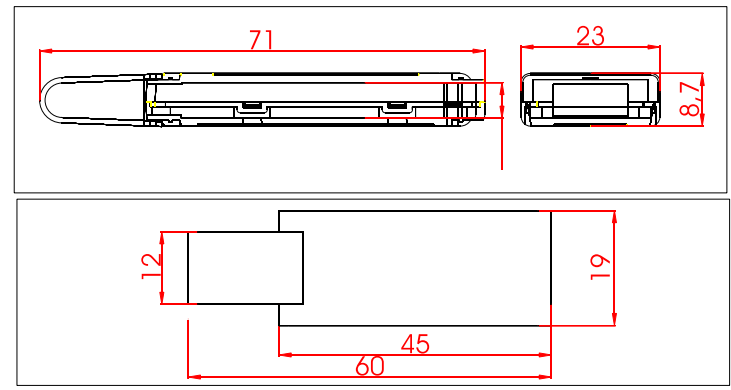


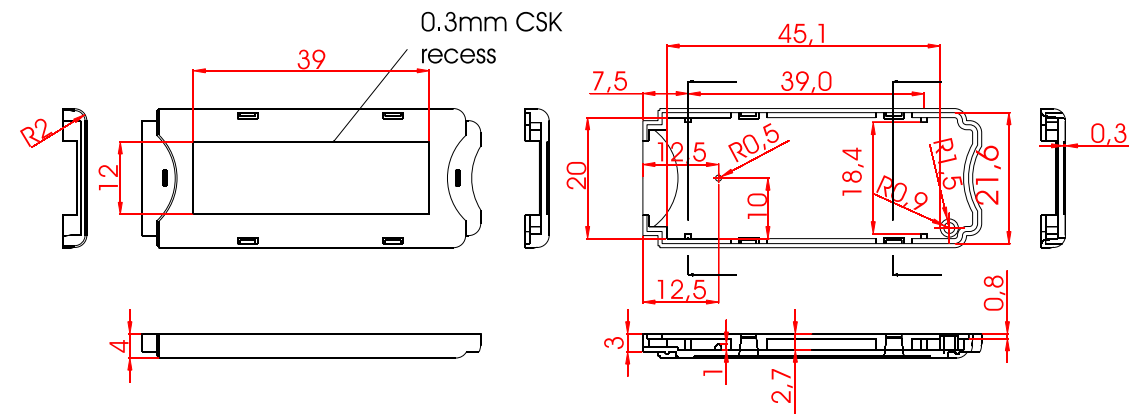
top part



lid



recommended PCB



base part

GH02SG001/510: transparent
 GH02SG001/520: light grey
 all dimensions in mm

RICHARD WÖHR
 GMBH

Gräfenau 58-60
 D-75339 Höfen / Enz

Telefon (07081) 9540-0
 Telefax (07081) 9540-90
 Richard@WoehrGmbH.de
 www.WoehrGmbH.de

Expression:
Industrial enclosure

order code:
 GH02SG001/510
 GH02SG001/520

Maße
 in
 mm

