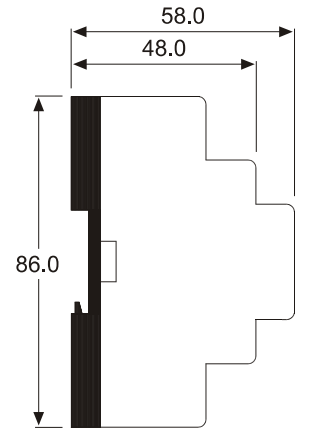
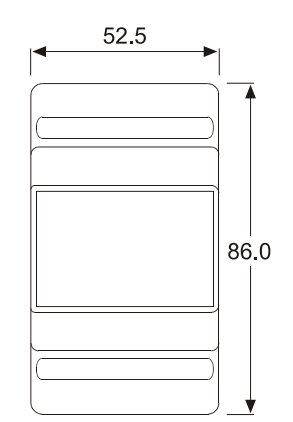
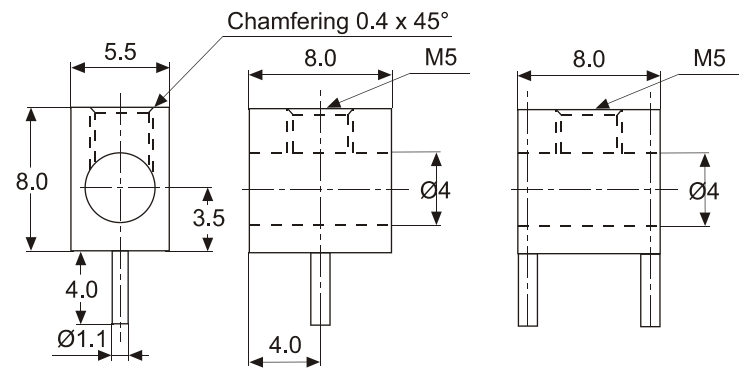
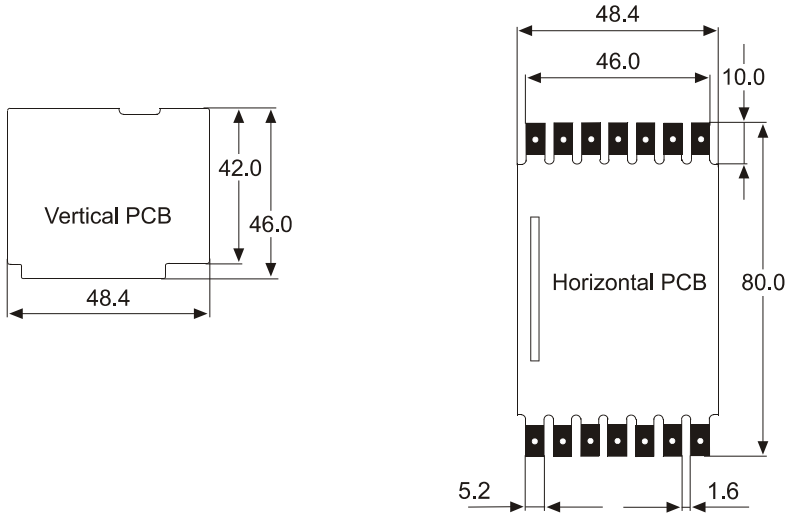


BASE PART

TOP PART



3 MODULE ENCLOSURE
FOR M36 DIN-RAIL SERIES 525

Type 525

All measurements are in mm