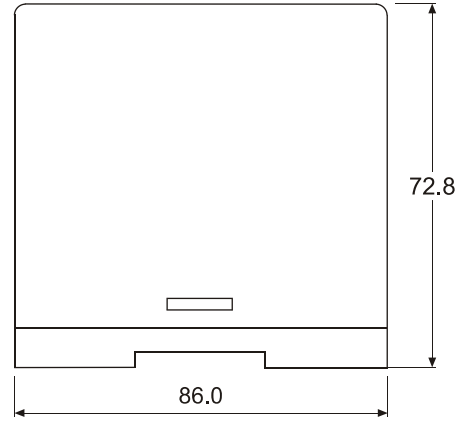
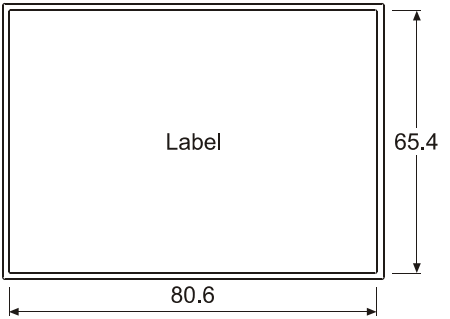
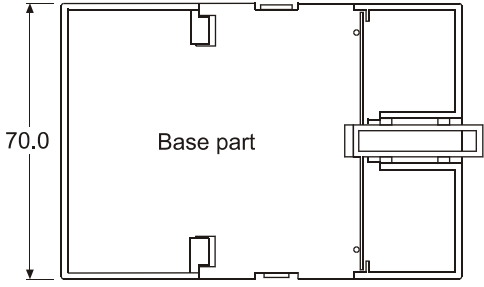
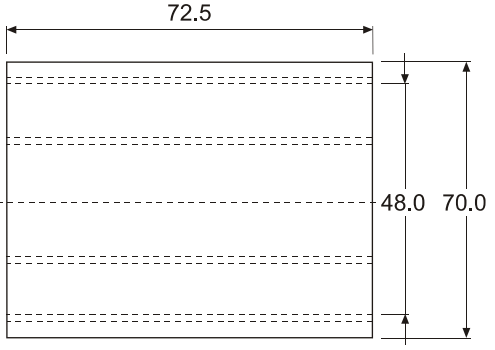
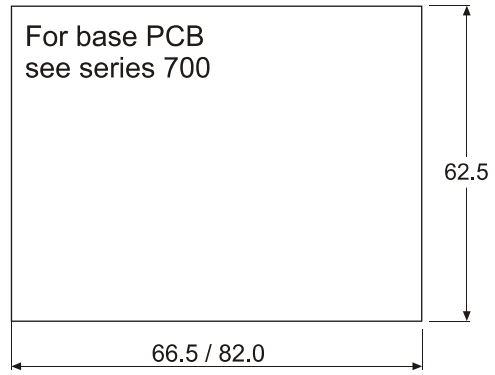


BASE PART

TOP PART



PCB DIMENSIONS:



DIN-RAIL MOUNTED
ENCLOSURE

SERIES 1470

Type 1470

Order code: 4969014700

All measurements are in mm